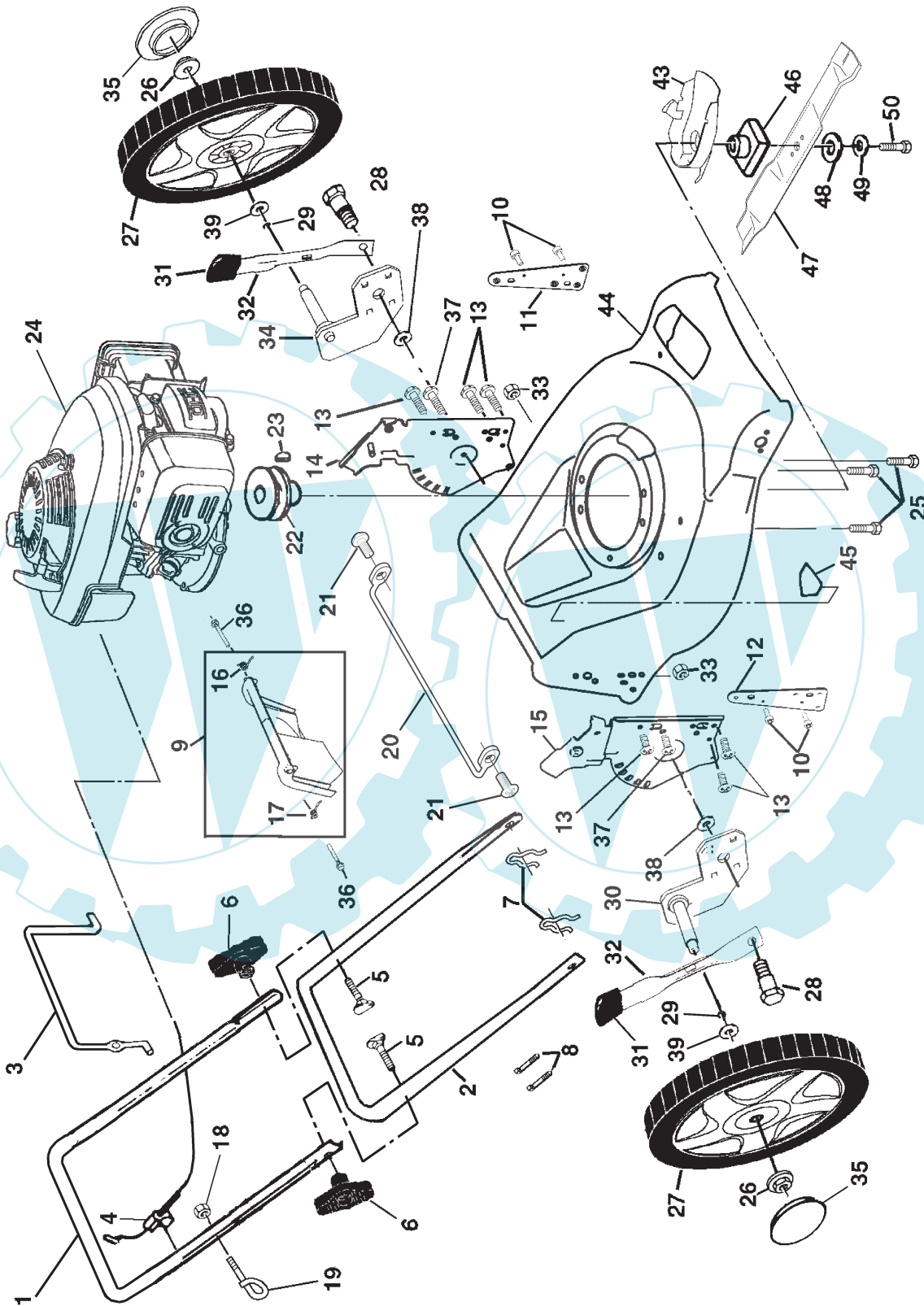


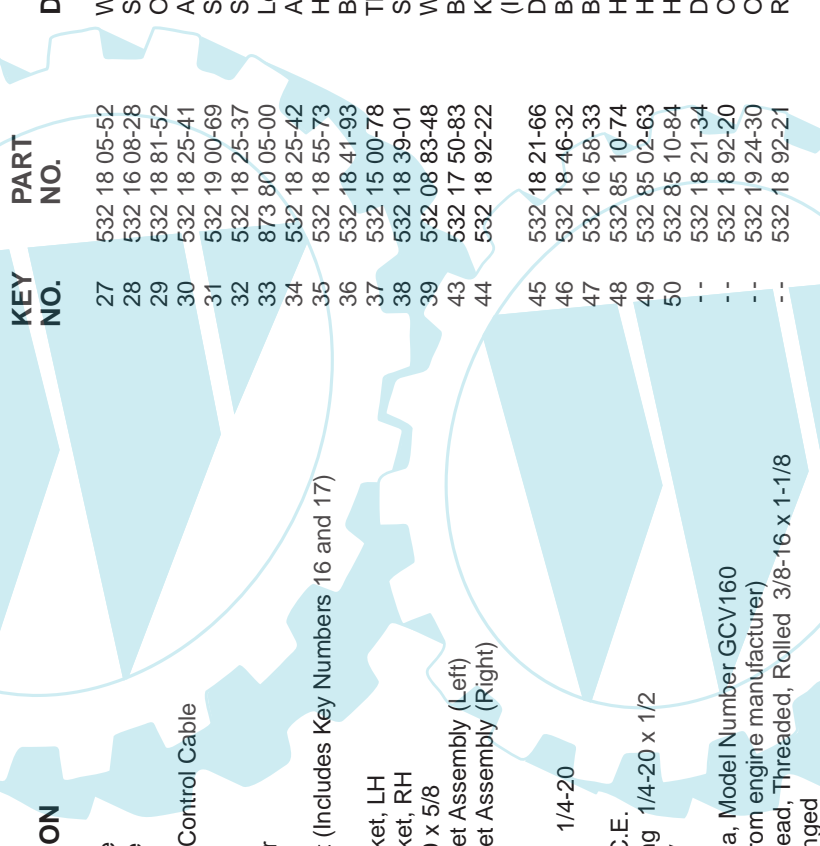
REPAIR PARTS MANUAL
MODEL NUMBER BH55Y21RHA
Rotary Lawn Mower

 **McCULLOCH**®

ROTARY LAWN MOWER -- MODEL NO. BH55Y21RH (BH55Y21RHA) - PRODUCT NO. 964 77 46-01



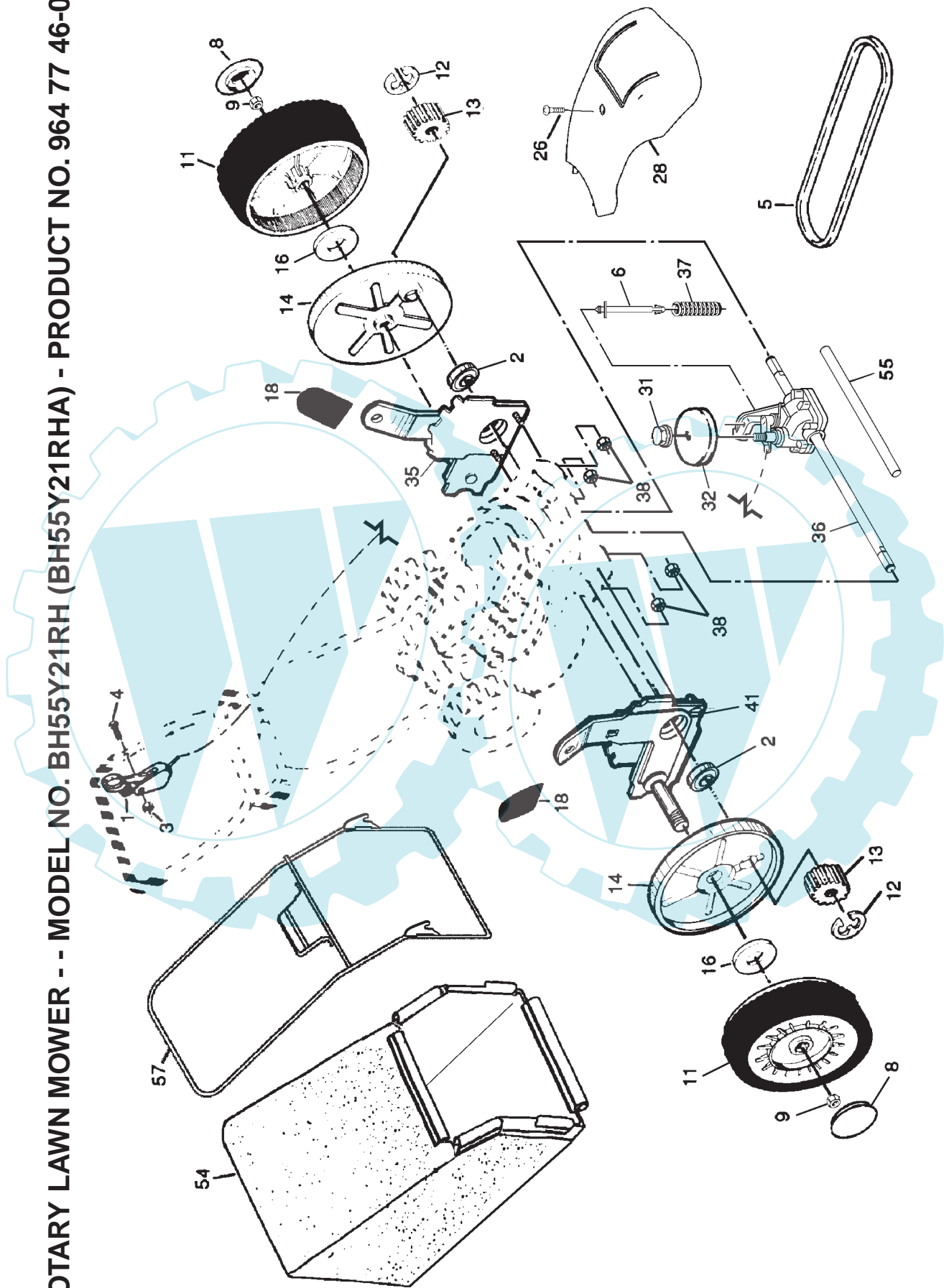
ROTARY LAWN MOWER - - MODEL NO. BH55Y21RH (BH55Y21RHA) - PRODUCT NO. 964 77 46-01



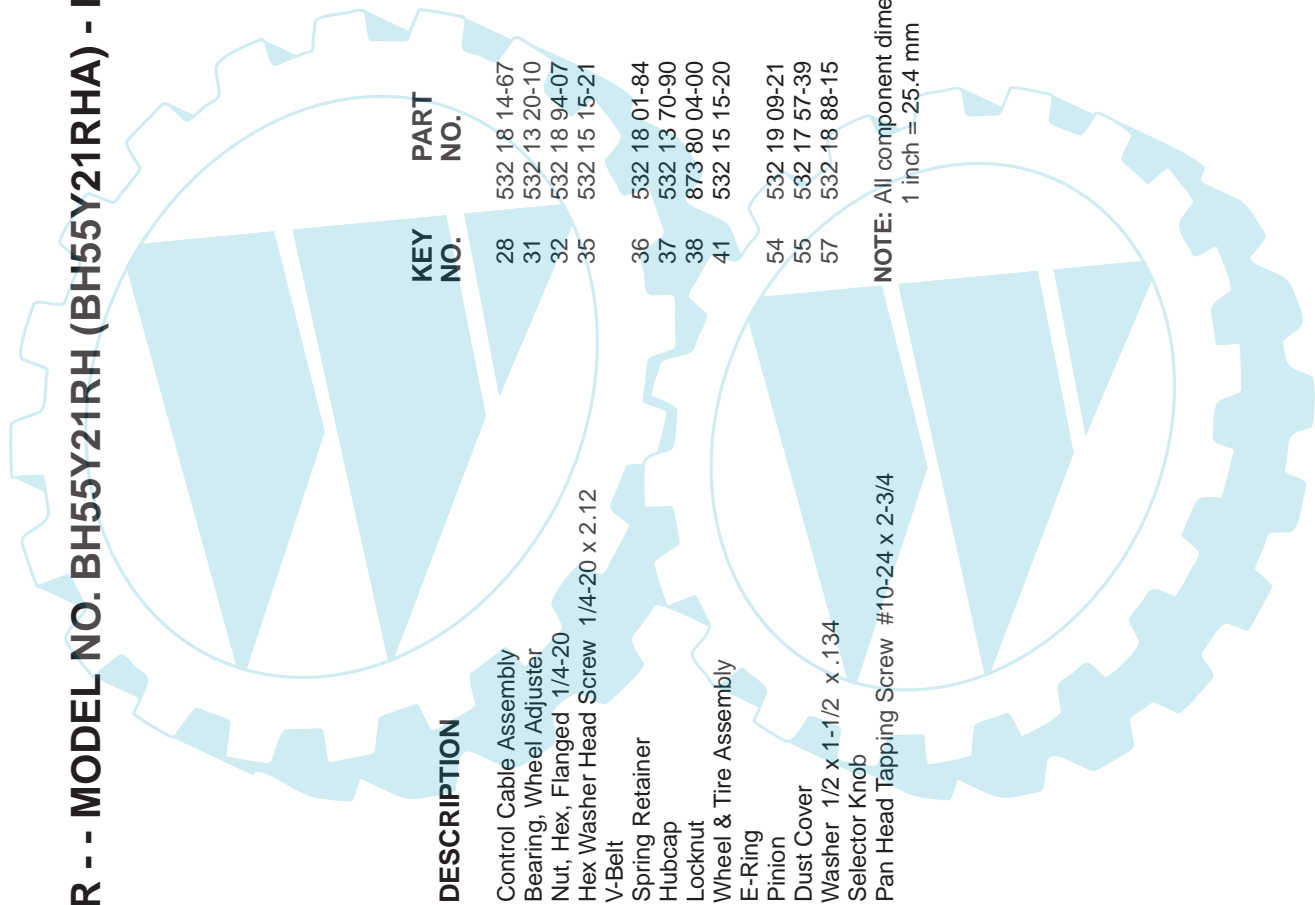
KEY NO.	PART NO.	DESCRIPTION	KEY NO.	PART NO.	DESCRIPTION
1	532 19 25-17	Upper Handle	27	532 18 05-52	Wheel
2	532 15 36-05	Lower Handle	28	532 16 08-28	Shoulder Bolt 5/16-18 x .33
3	532 14 67-71	Control Bar	29	532 18 81-52	O-Ring
4	532 18 27-55	Engine Zone Control Cable	30	532 18 25-41	Axle Arm Assembly, RR
5	532 13 19-59	Handle Bolt	31	532 19 00-69	Selector Knob
6	532 13 63-76	Handle Knob	32	532 18 25-37	Selector Spring
7	532 05 17-93	Hairpin Cotter	33	873 80 05-00	Locknut
8	532 06 64-26	Wire Tie	34	532 18 25-42	Axle Arm Assembly, LR
9	532 18 04-79	Rear Door Kit (Includes Key Numbers 16 and 17)	35	532 18 55-73	Hubcap
10	532 12 84-15	Pop Rivet	36	532 18 41-93	Bolt
11	532 18 25-38	Support Bracket, LH	37	532 15 00-78	Thread Cutting Screw w/Sems 5/16-18 x 3/4
12	532 18 25-39	Support Bracket, RH	38	532 18 39-01	Spacer
13	817 06 04-10	Screw 1/4-20 x 5/8	39	532 08 83-48	Washer, Flat 3/8
14	532 18 25-43	Handle Bracket Assembly (Left)	43	532 17 50-83	Bottom Belt Cover
15	532 18 25-45	Handle Bracket Assembly (Right)	44	532 18 92-22	Kit, Lawn Mower Housing (Includes Key Numbers 10, 11, 12 and 45)
16	532 18 00-71	Spring, LH	45	532 18 21-66	Danger Decal
17	532 18 00-72	Spring, RH	46	532 18 46-32	Blade Adapter
18	532 13 20-04	Keps Locknut 1/4-20	47	532 16 58-33	Blade, 21"
19	532 17 95-85	Rope Guide	48	532 85 10-74	Hardened Washer
20	532 17 92-05	Foot Guard, C.E.	49	532 85 02-63	Helical Washer 3/8-24 x 1-3/8 Grade 8
21	532 05 45-83	Screw, Tapping 1/4-20 x 1/2	50	532 85 10-84	Hex Head Machine Screw 3/8-24 x 1-3/8 Grade 8
22	532 18 49-41	Engine Pulley	--	532 18 21-34	Decal, Self-Propelled, Internal (not shown)
23	532 18 77-23	Hi-Pro Key	--	532 18 92-20	Operator's Manual, European
24	---	Engine, Honda, Model Number GCV160 (order parts from engine manufacturer)	--	532 19 24-30	Operator's Manual, Scandinavian
25	532 15 04-06	Screw, Hex Head, Threaded, Rolled 3/8-16 x 1-1/8	--	532 18 92-21	Repair Parts Manual
26	532 08 39-23	Nut, Hex, Flanged			

NOTE: All component dimensions given in U.S. inches.
1 inch = 25.4 mm

ROTARY LAWN MOWER - - MODEL NO. BH55Y21RH (BH55Y21RHA) - PRODUCT NO. 964 77 46-01



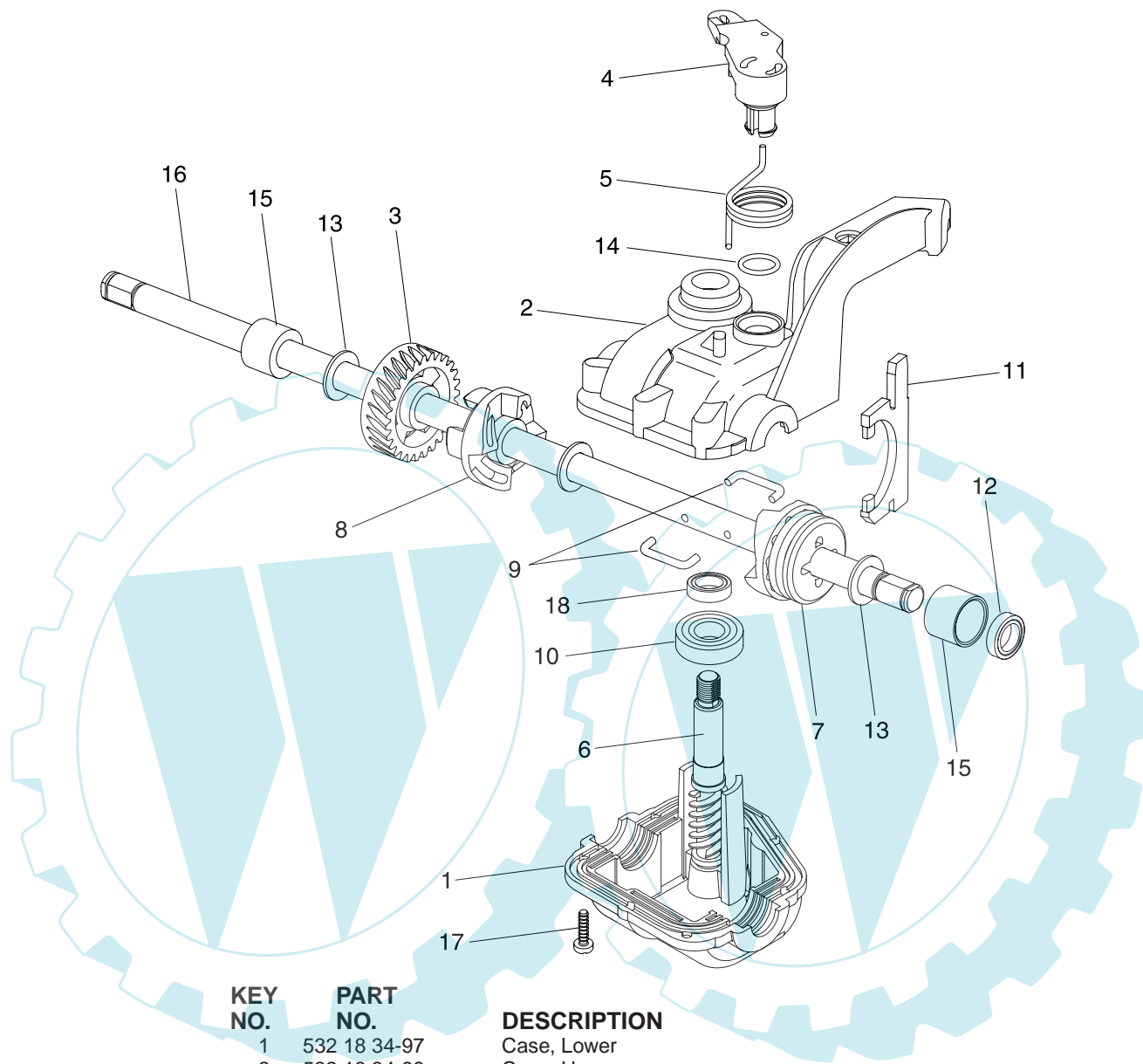
ROTARY LAWN MOWER - - MODEL NO. BH55Y21RH (BH55Y21RHA) - PRODUCT NO. 964 77 46-01



KEY NO.	PART NO.	DESCRIPTION	KEY NO.	PART NO.	DESCRIPTION
1	532 18 45-88	Control Cable Assembly	28	532 18 14-67	Drive Cover
2	532 08 80-58	Bearing, Wheel Adjuster	31	532 13 20-10	Hex Flange Nut
3	532 19 17-30	Nut, Hex, Flanged 1/4-20	32	532 18 94-07	Drive Pulley
4	532 15 87-55	Hex Washer Head Screw 1/4-20 x 2.12	35	532 15 15-21	Kit, Wheel Adjuster, LH (Includes Knob and Bearing)
5	532 17 54-36	V-Belt	36	532 18 01-84	Gear Case Assembly (See Breakdown)
6	532 15 04-95	Spring Retainer	37	532 13 70-90	Spring
8	532 18 06-26	Hubcap	38	873 80 04-00	Locknut 1/4-20
9	532 14 52-12	Locknut	41	532 15 15-20	Kit, Wheel Adjuster, RH (Includes Knob and Bearing)
11	532 18 07-75	Wheel & Tire Assembly	54	532 19 09-21	Grassbag Assembly
12	812 00 00-58	E-Ring	55	532 17 57-39	Driveshaft Cover
13	532 13 70-54	Pinion	57	532 18 88-15	Frame, Grassbag
14	532 18 05-04	Dust Cover			
16	532 06 77-25	Washer 1/2 x 1-1/2 x .134			
18	532 70 10-37	Selector Knob			
26	532 17 52-62	Pan Head Tapping Screw #10-24 x 2-3/4			

NOTE: All component dimensions given in U.S. inches.
1 inch = 25.4 mm

**ROTARY LAWN MOWER - - MODEL NUMBER BH55Y21RH
(BH55Y21RHA) - PRODUCT NUMBER 964 77 46-01
GEARCASE ASSEMBLY - PART NUMBER 532 18 01-84**



KEY NO.	PART NO.	DESCRIPTION
1	532 18 34-97	Case, Lower
2	532 18 34-98	Case, Upper
3	532 18 34-99	Gear, 27 Teeth
4	532 18 35-00	Lever, Clutch
5	532 18 35-01	Spring, Return
6	532 18 35-02	Shaft, Input
7	532 18 35-03	Dog, Movable
8	532 18 35-04	Dog, Fixed
9	532 18 35-05	Wire, Formed
10	532 18 35-06	Bearing, Ball
11	532 18 35-07	Fork, Shift
12	532 18 35-08	Seal, Output Shaft
13	532 18 35-09	Washer
14	532 18 35-10	Seal, Case
15	532 18 35-11	Bushing
16	532 18 35-12	Shaft, Output
17	532 18 35-13	Screw
18	532 18 35-14	Seal, Input Shaft
--	532 18 34-04	Kit, Gearcase Replacement

NOTE: Use Dow Corning #709 to reseal Gear Case Halves.

LIMITED WARRANTY

The Manufacturer warrants to the original consumer purchaser that this product as manufactured is free from defects in materials and workmanship. For a period of two (2) years from date of purchase by the original consumer purchaser, we will repair or replace, at our option, without charge for parts or labor incurred in replacing parts, any part which we find to be defective due to materials or workmanship. This Warranty is subject to the following limitations and exclusions.

1. This warranty does not apply to the engine. Please contact your nearest dealer where they will send the machine to the engine manufacturer.
2. Transportation charges for the movement of any power equipment unit or attachment are the responsibility of the purchaser. Transportation charges for any parts submitted for replacement under this warranty must be paid by the purchaser unless such return is requested by your dealer.
3. Battery Warranty: On products equipped with a Battery, we will replace, without charge to you, any battery which we find to be defective in manufacture, during the first ninety (90) days of ownership. After ninety (90) days, we will exchange the Battery, charging you 1/12 of the price of a new Battery for each full month from the date of the original sale. Battery must be maintained in accordance with the instructions furnished.
4. The Warranty period for any products used for rental or commercial purposes is limited to 90 days from the date of original purchase.
5. This Warranty applies only to products which have been properly assembled, adjusted, operated, and maintained in accordance with the instructions furnished. This Warranty does not apply to any product which has been subjected to alteration, misuse, abuse, improper assembly or installation, delivery damage, or to normal wear of the product.
6. Exclusions: Excluded from this Warranty are belts, blades, blade adapters, normal wear, normal adjustments, standard hardware and normal maintenance.
7. In case of any problem within the boundaries of this warranty, contact the nearest department store, indicate the model number, serial number and the date of purchase of your machine. This warranty does not apply to accidental damages. All implicit warranties are limited to the same time frames. Or contact:

E.M. Services
54 Rue Lambrechts
92400 Courbevoie
France
Telephone: (1) 46678078
Fax: (1) 46678095

THIS WARRANTY DOES NOT APPLY TO INCIDENTAL OR CONSEQUENTIAL DAMAGES. ANY IMPLIED WARRANTIES ARE LIMITED TO THE SAME TIME PERIODS STATED HEREIN.



 **McCULLOCH**®

www.electrolux.com/mcculloch

Ihr Ersatzteilspezialist im Internet